

1

2

3

4

5

6

A

A

B

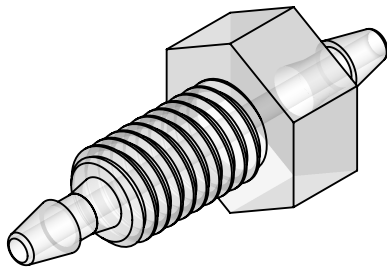
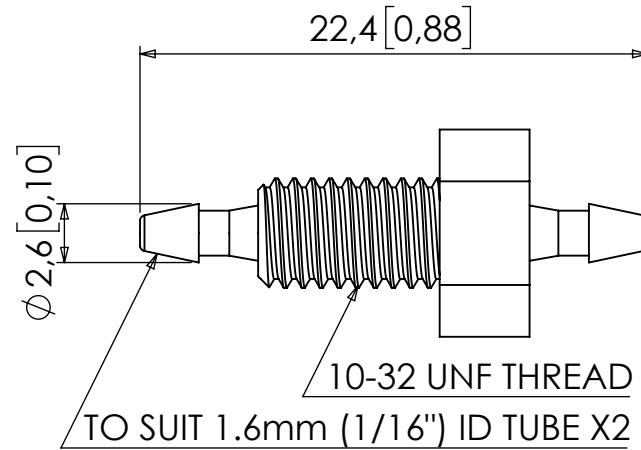
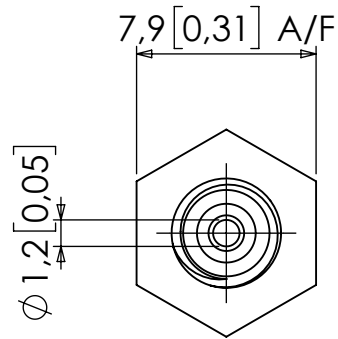
B

C

C

D

D



1				04/06/2024	FIRST RELEASE
REV	CREATED	CHECKED	APPROVED	DWG DATE	REVISION SUMMARY

MATERIAL: ANIMAL FREE POLYPROPYLENE

THIS DRAWING IS CONFIDENTIAL AND IS THE PROPERTY OF THE WEST GROUP LTD AND MAY NOT BE REPRODUCED IN WHOLE OR IN PART, OR USED FOR ANY OTHER PURPOSE OTHER THAN THAT FOR WHICH IT IS SUPPLIED. ALL RIGHTS IN RESPECT OF PATENTS, DESIGN AND COPYRIGHTS RESERVED.



WEST GROUP LTD, UK  
 TEL: +44 (0) 23 9226 6031  
 WWW.WESTGROUP.CO.UK  
 SALES@WESTGROUP.CO.UK

TITLE: ANIMAL FREE POLYPROPYLENE EQUAL PANEL MOUNT CONNECTOR, 1.6MM (1/16") ID TUBE AND 10-32 UNF THREAD

	DIM'S	SCALE	SIZE	SHEET	DOCUMENT NUMBER	REVISION
	mm[inch]	NTS	A4	1 / 1	E-F-210125	1

1

2

3

4

5

6