

1

2

3

4

5

6

A

A

B

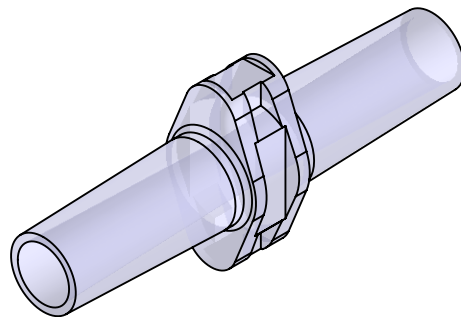
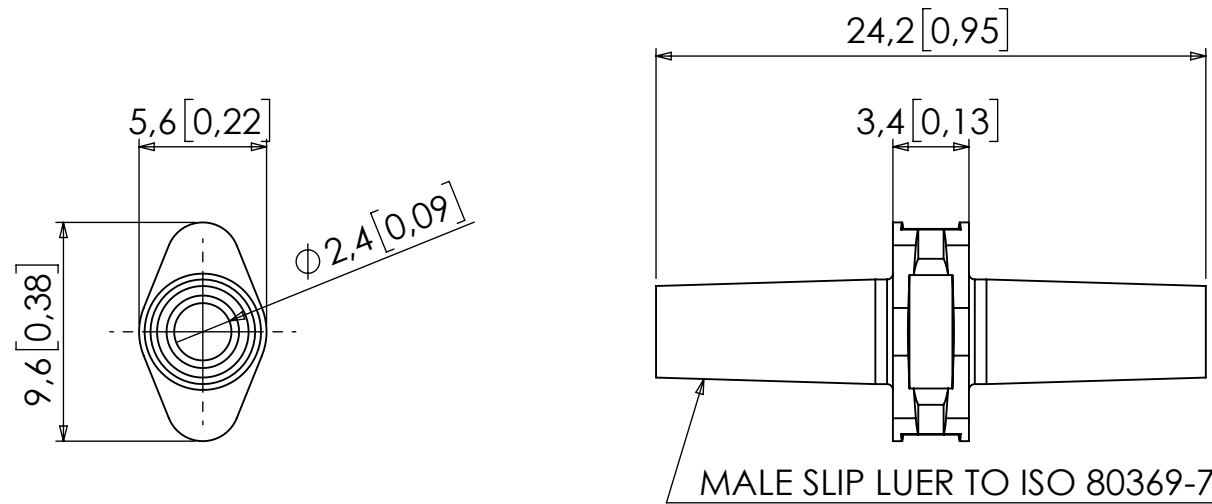
B


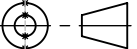
C

C

D

D



|   |                   |              |            |                |   |   |
|---|-------------------|--------------|------------|----------------|---|---|
| 1   |                   |              |            | 24/07/2023     | FIRST RELEASE   |   |
| REV   | CREATED           | CHECKED      | APPROVED   | DWG DATE       | REVISION SUMMARY  |   |
| MATERIAL: LIPID RESISTANT RAD. STABLE POLYCARBONATE   |                   |              |            |                |   |   |
| THIS DRAWING IS CONFIDENTIAL AND IS THE PROPERTY OF THE WEST GROUP LTD AND MAY NOT BE REPRODUCED IN WHOLE OR IN PART, OR USED FOR ANY OTHER PURPOSE OTHER THAN THAT FOR WHICH IT IS SUPPLIED. ALL RIGHTS IN RESPECT OF PATENTS, DESIGN AND COPYRIGHTS RESERVED. |                   |              |            |                | WEST GROUP LTD, UK<br>TEL: +44 (0) 23 9226 6031<br>WWW.WESTGROUP.CO.UK<br>SALES@WESTGROUP.CO.UK |  |
| TITLE: ISO 80369-7 MALE SLIP LUER COUPLER, LIPID RESISTANT RAD. STABLE POLYCARBONATE  |                   |              |            |                |   |   |
|    | DIM'S<br>mm[inch] | SCALE<br>NTS | SIZE<br>A4 | SHEET<br>1 / 1 | DOCUMENT NUMBER<br>E-F-230060   | REVISION<br>1   |

1

2

3

4

5

6