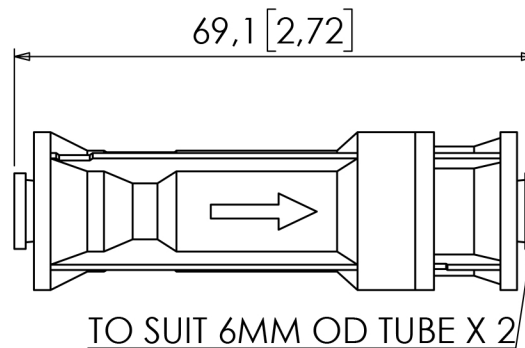
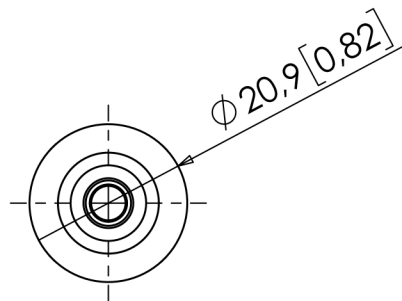
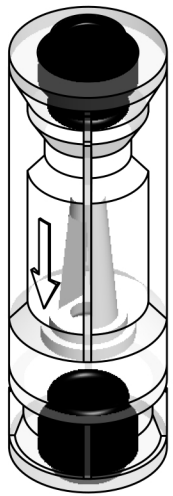


4	5	6	
PART NUMBER	BODY MATERIAL	FILTER MATERIAL	FILTER(μ)
E-M-160087	PET	NYLON	10 MICRON
E-M-160088	PET	NYLON	48 MICRON
E-M-160089	PET	POLYESTER	65 MICRON
E-M-160090	PET	NYLON	250 MICRON



1	Wayne Tsang <small>Quality support for Wayne Tsang Date: 2019/09/24</small>	Natasha Butland <small>Quality support for Natasha Butland Date: 2019/09/24</small>	Natasha Butland <small>Quality support for Natasha Butland Date: 2019/09/24</small>	24/09/2019		
REV	CREATED	CHECKED	APPROVED	REV DATE	REF No.	REVISION SUMMARY
MATERIAL: PET, BUNA-N, ACETAL, NYLON, STAINLESS STEEL						
THIS DRAWING IS CONFIDENTIAL AND IS THE PROPERTY OF THE WEST GROUP LTD AND MAY NOT BE REPRODUCED IN WHOLE OR IN PART, OR USED FOR ANY OTHER PURPOSE OTHER THAN THAT FOR WHICH IT IS SUPPLIED. ALL RIGHTS IN RESPECT OF PATENTS, DESIGN AND COPYRIGHTS RESERVED.					WEST GROUP LTD, UK TEL: +44 (0) 23 9226 6031 WWW.WESTGROUP.CO.UK SALES@WESTGROUP.CO.UK	
TITLE: DISPOSABLE IN-LINE FILTER, 10 MICRON, PUSH-IN PORTS TO SUIT 6 MM OD TUBING						
		DIM'S mm[inch]	SCALE NTS	SIZE A4	SHEET 1 / 1	DOCUMENT NUMBER E-M-160089
						REVISION 1

A

B

C

D

A

B

C

D

1

2

3

4

5

6